

Applicable Model

E12

Drawing Title

Intercom Panel

Drawing Unit

mm

Drawing Scale

Not to scale

**DRAFT
SUBJECT TO
CHANGE**

Last Revised

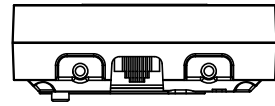
Jun, 07, 2024

Drawing Version

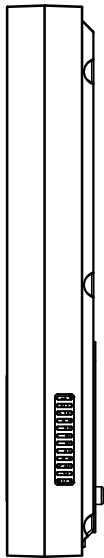
V1.0

Page

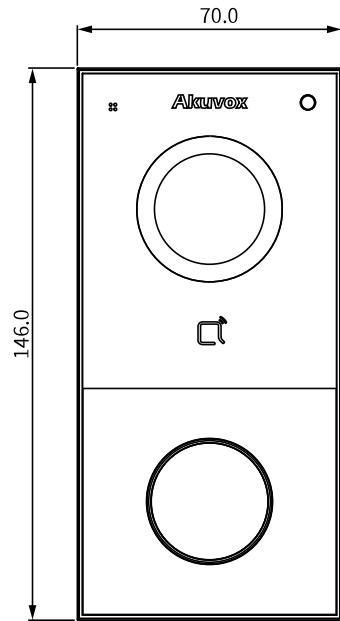
1 of 3



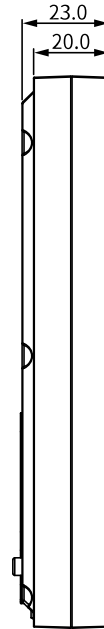
6 BOTTOM VIEW



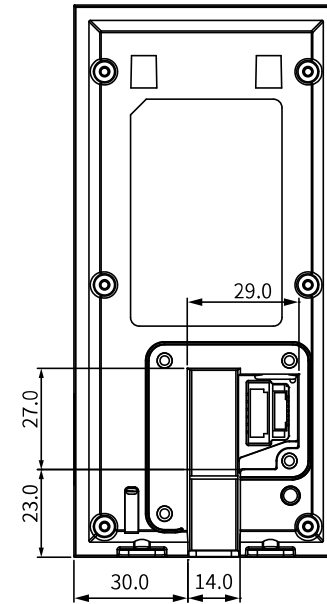
2 RIGHT VIEW



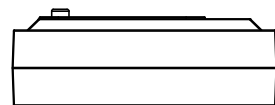
1 FRONT VIEW



3 LEFT VIEW



4 BACK VIEW



5 TOP VIEW

Applicable Model

E12

Drawing Title

Wall Mounting Bracket

Drawing Unit

mm

Drawing Scale

Not to scale

**DRAFT
SUBJECT TO
CHANGE**

Last Revised

Jun, 07, 2024

Drawing Version

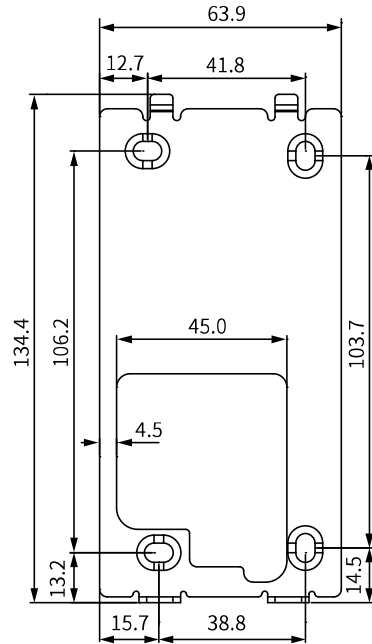
V1.0

Page

2 of 3



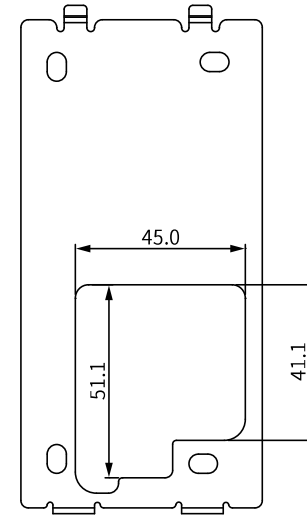
6 BOTTOM VIEW



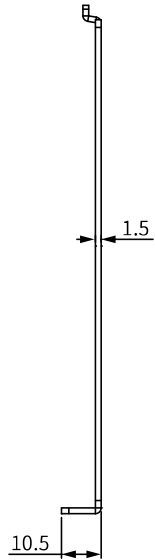
1 FRONT VIEW



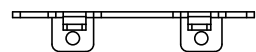
3 LEFT VIEW



4 BACK VIEW



2 RIGHT VIEW



5 TOP VIEW

Applicable Model

E12

Drawing Title

Placement

Drawing Unit

mm

Drawing Scale

Not to scale

**DRAFT
SUBJECT TO
CHANGE**

Last Revised

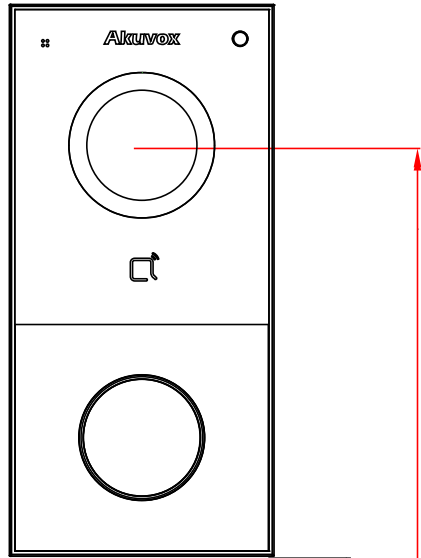
Jun, 07, 2024

Drawing Version

V1.0

Page

3 of 3



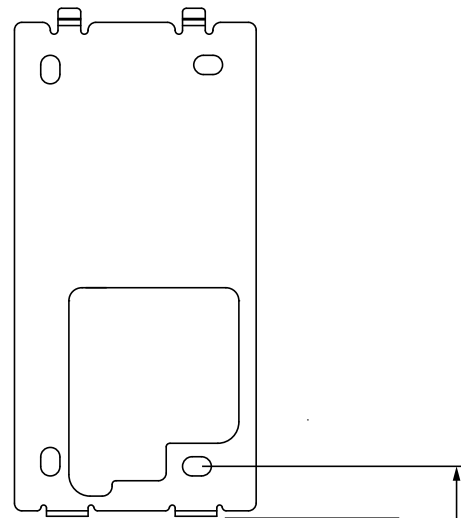
1 INTERCOM PANEL FRONT VIEW

1392mm TO BOTTOM OF PANEL

1500mm TO CENTER OF CAMERA

ADA Compliance Requirement

GROUND

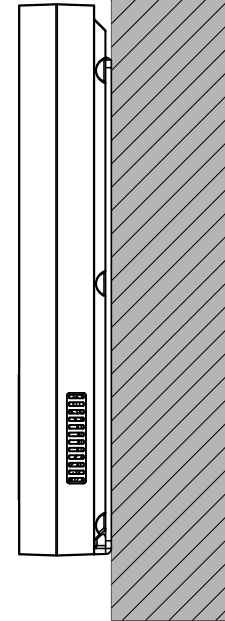


2 FRONT VIEW: WALL MOUNTING BRACKET PLACEMENT

1392mm TO BOTTOM OF BRACKET

1407mm TO SCREW HOLE CENTER OF BRACKET

GROUND



3 SIDE VIEW: INTERCOM PANEL ON WALL

WALL